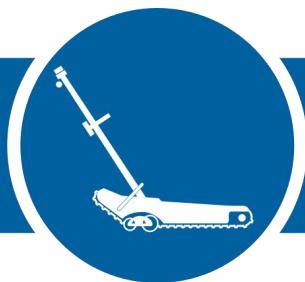


**STAIR CLIMBER FOR WHEEL CHAIR**

**TR250T**

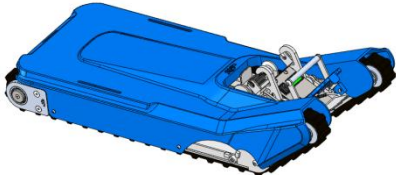
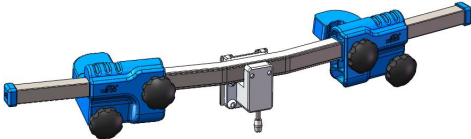

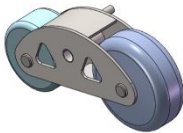


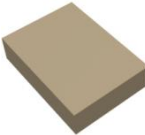





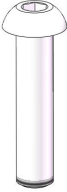





**Unpacking and assembling**

# Catalogue

<b>1. Parts in package .....</b>	<b>1</b>
<b>2. Main body installation .....</b>	<b>3</b>
<b>3. Main vertical beam installation .....</b>	<b>5</b>
<b>4. Seat belt installation .....</b>	<b>7</b>

# 1. Parts in package

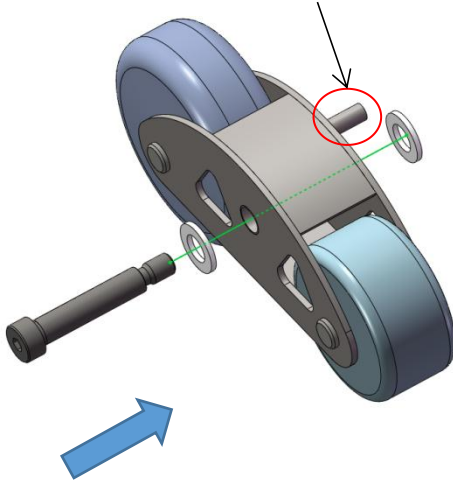
			
Main body		Sliding base plate	
			
Main vertical beam		Flat walking directional wheel 1	Flat walking directional wheel 2
			
Headrest	Accessory box	Wheelchair wheel gear lever (1pc)	Hexagon socket head shoulder screw $\phi$ 12-M10-55 (2pcs)

			
<p>Flat washer M12*2.5 (4pcs)</p>	<p>Hexagon flat round head bolts M8 * 35 (2pcs)</p>	<p>Hexagon flat round head bolts M8 * 16 (4pcs)</p>	<p>Hexagon flat round head bolts M10 * 20 (4pcs)</p>
			
<p>Seat belt L connecting plate ( total of 2 pcs)</p>	<p>Seat belt Buckle (1 in total)</p>	<p>Seat belt storage box (1 in total)</p>	

Note: There are installation tools and charger in the accessory box. This table only lists the parts needed for installation (excluding installation tools).

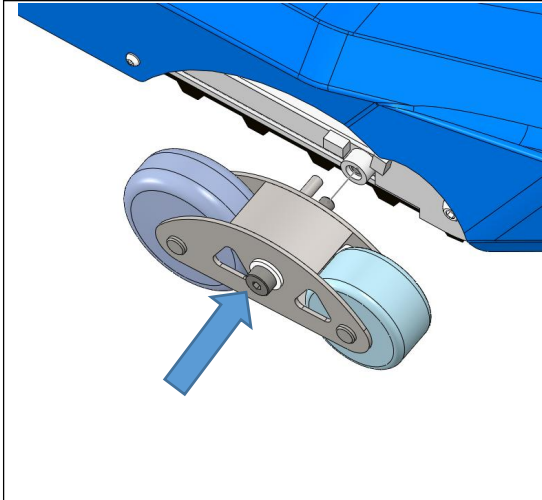
## 2. Main body installation

Note the direction of the small pins

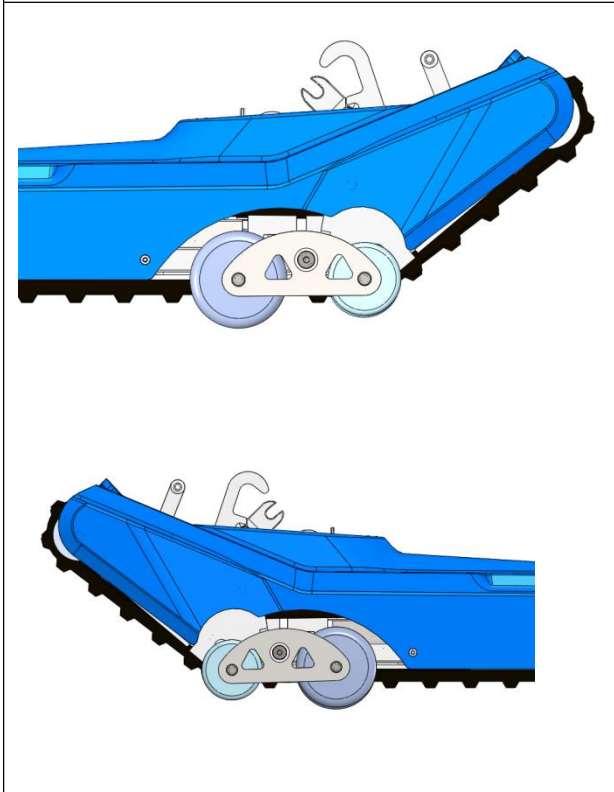


(1) Find the flat walking directional wheel and install the Hexagon socket head shoulder screw and flat washer as shown in the figure.

- ① Flat walking directional wheel 1
- ② Hexagon socket head shoulder screw  $\phi$  12-M10-55
- ③ Flat washer M12\*2.5(2pcs)

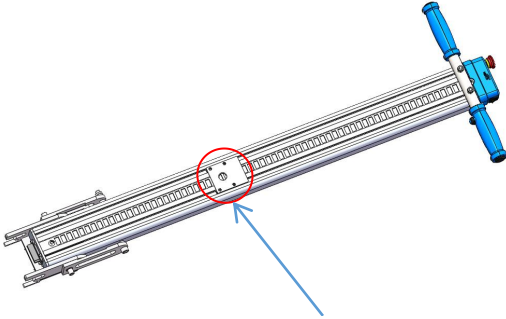
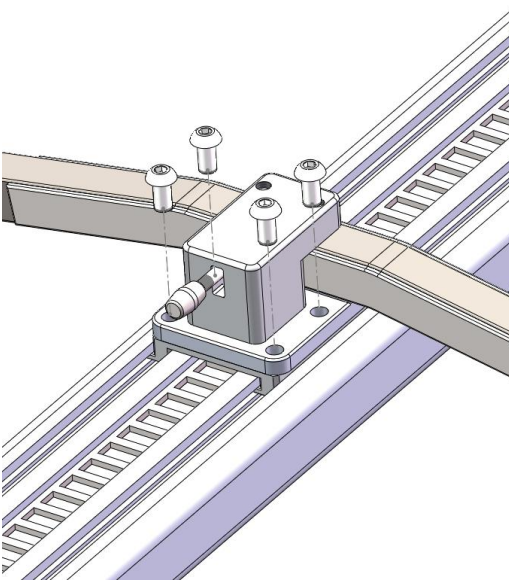


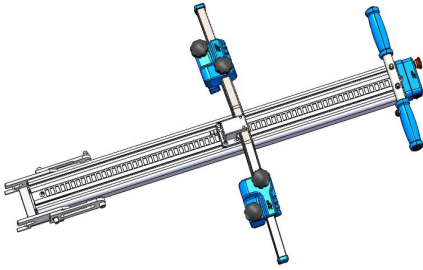
(2) Install the flat walking directional wheel into the main body and tighten the screws.



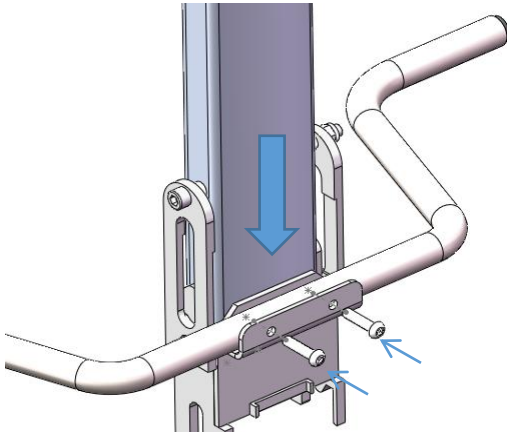
(3) Repeat the above operation and complete the installation of flat walking directional wheel 2. Complete the main body installation as shown.

### 3. Main vertical beam installation

 <p>sliding base plate</p>	<p>(1) Find the sliding base plate as shown in the picture.</p>
	<p>(2) Align the 4 screw holes on the armrest mounting bracket with the corresponding holes on the sliding base plate and lock the screws.</p> <ul style="list-style-type: none"><li>① Hexagon flat round head bolts M8 * 16(4pcs)</li><li>② Armrest mounting bracket</li></ul>



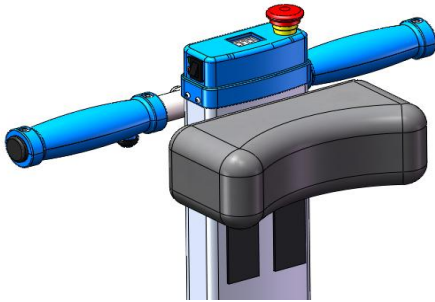
(3) Complete the armrest holder installation as shown.



(4) Place the wheelchair wheel gear lever into the groove position and lock the 2pcs screws.

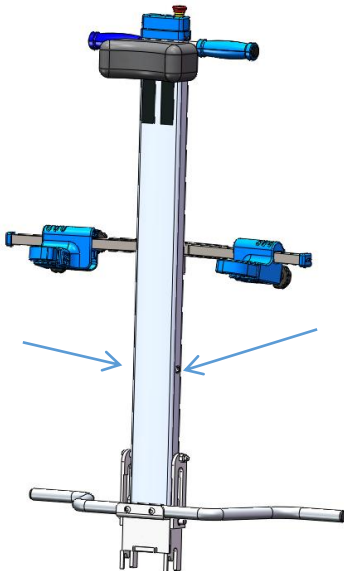
- ① Hexagon flat round head bolt M8 \* 35(2pcs)
- ② wheelchair wheel gear lever



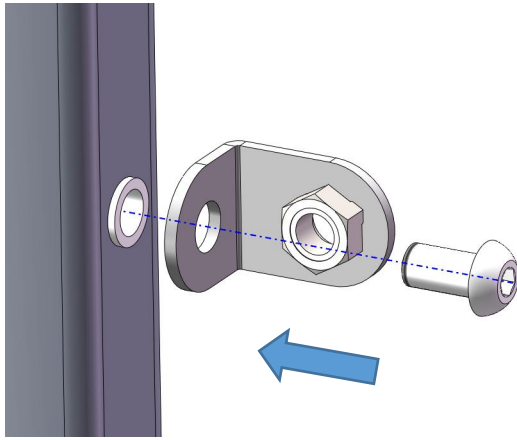


(5) The back of the pillow is velcroed to the main vertical beam and the height of the attachment can be adjusted to suit the individual.

#### 4. Seat belt installation

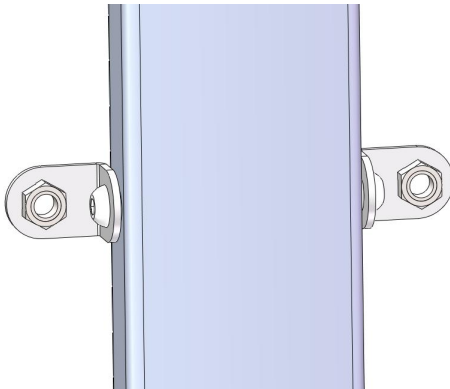


(1) Find the seat belt mounting holes on both sides of the operating lever.



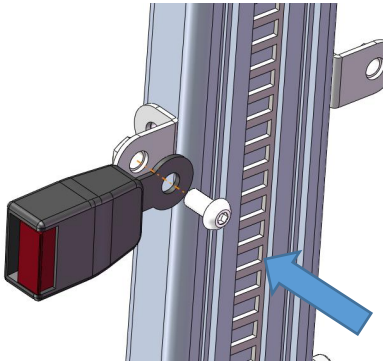
(2) Install the inner hexagonal flat round head bolt M10 \* 20 and the seat belt L connection plate as shown, and lock the screws.

- ① Hexagon flat round head bolts M10 \* 20(1pcs)
- ② Seat Belt L connector plate (1 pcs)



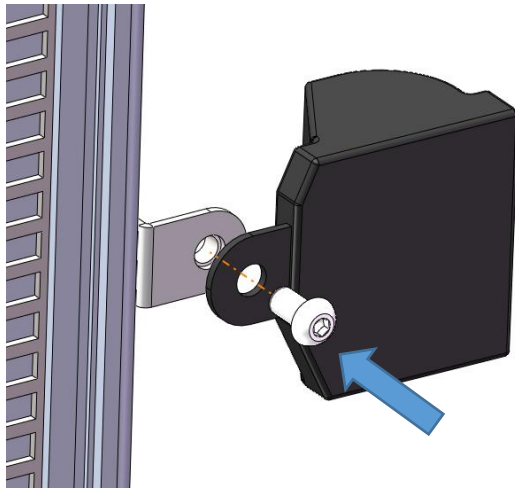
(3) Similarly, install the other side as shown in the figure.

- ① Hexagon flat round head bolt M10 \* 20(1pcs)
- ② Seat Belt L connector plate (1 pcs)



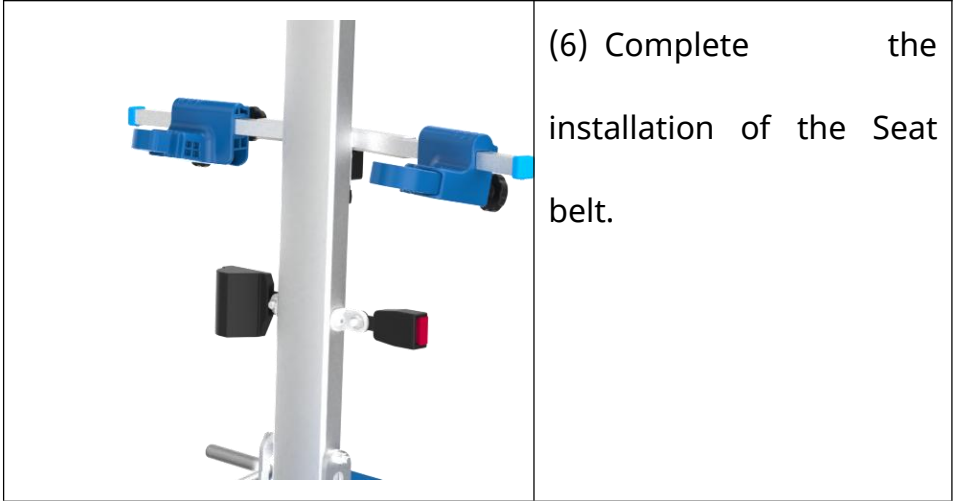
(4) Place the seat belt buckle at the seat belt L connector plate hole position and lock the screws.

- ① Hexagon flat round head bolts M10 \* 20(1pcs)
- ② Seat belt lock (1 in total)



(5) Point the seat belt storage box at the hole of the seat belt L connection plate and lock the screws.


- ① Hexagon flat round head bolt M10 \* 20(1pcs)
- ② Seat belt storage box (1 in total)



Note: For detailed instructions, please refer to the product manual of TR250T wheelchair climbing machine.



 [xstomobility.com](http://xstomobility.com)  +86-760-28207258  [info@xstomobility.com](mailto:info@xstomobility.com)

 Floor 1, Building C, 555 Plant. Ma'an Cun Rd, Cuiheng New District,  
Zhongshan City, Guangdong, China